

Paper Feed Unit  
(G567 17/26/27/57/66/67)

## Paper Feed Unit (G567 17/26/27/57/66/67)

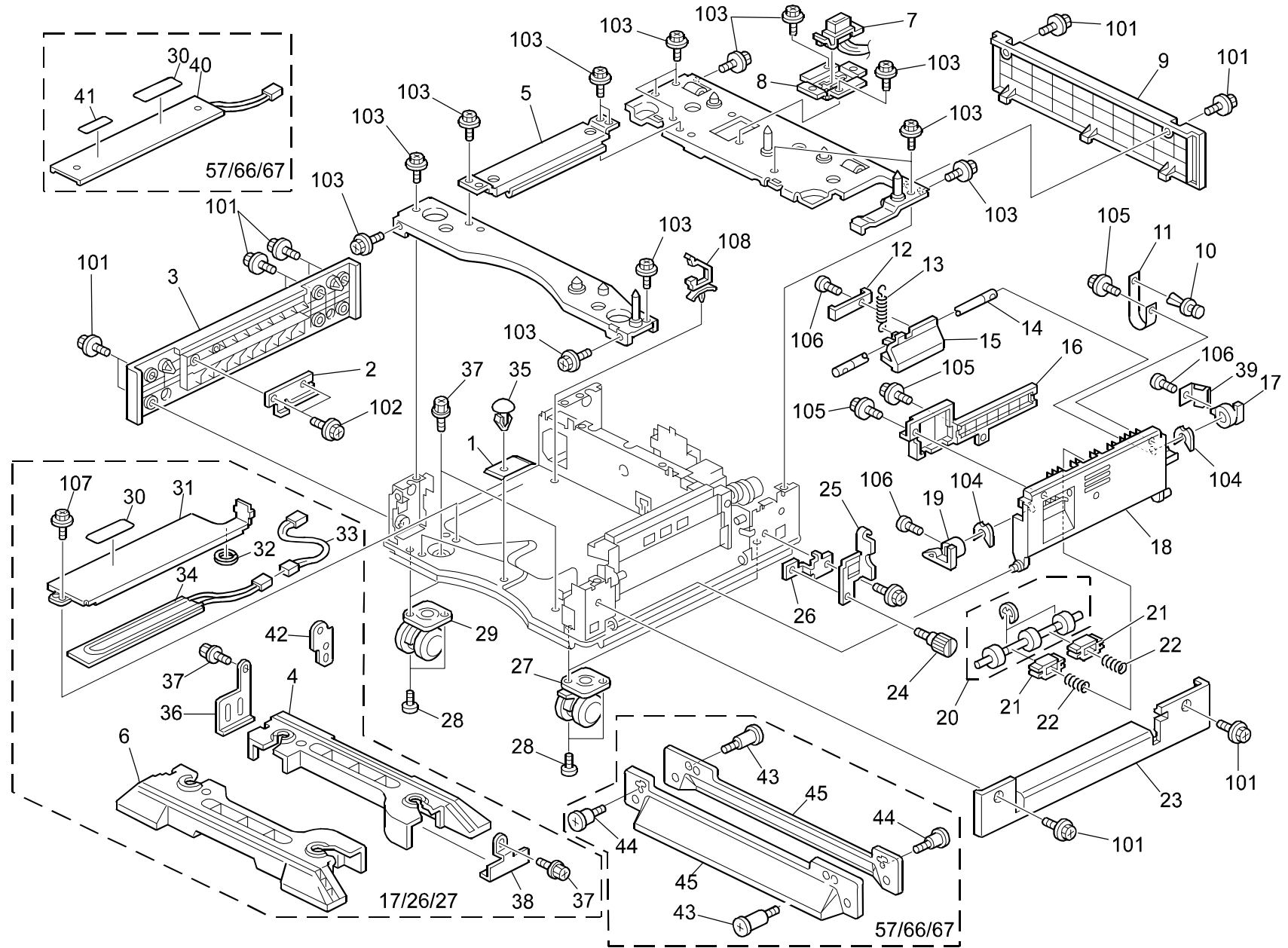
### PARTS CATALOG

This catalog gives the numbers and names of parts on this machine.

|   |           |
|---|-----------|
| 1.Exterior (G567).....                  | 2         |
| 2.Paper Cassette (G567) .....           | 4         |
| 3.Paper Feed Section (G567) .....       | 6         |
| 4.Drive And Electrical (G567) .....     | 8         |
| 5.Interface Board (G567 17/26/27) ..... | 10        |
| 6.Interface Board (G567 57/66/67) ..... | 13        |
| 7.Decals And Documents (G567) .....     | 14        |
| <b>Parts Index</b> .....                | <b>17</b> |

February ,20 ' 2004

# 1.Exterior (G567)

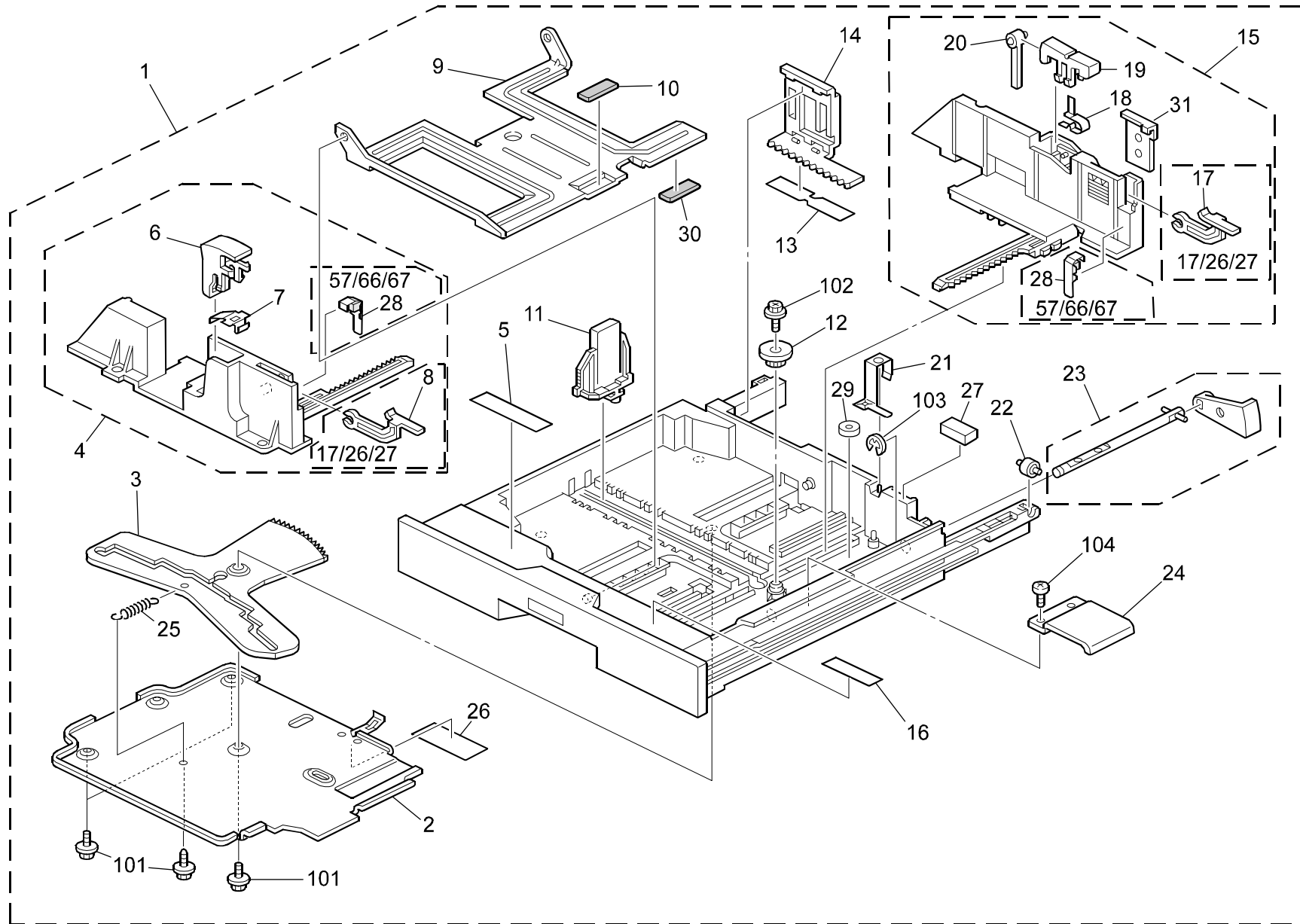


## 1.Exterior (G567)

| Index No. | Part No.  | Description                          | Q'ty Per Assembly |
|-----------|-----------|--------------------------------------|-------------------|
| 1         | G568 1160 | Sheet - Base                         | 2                 |
| 2         | G568 1286 | Left Stopper                         | 1                 |
| 3         | G567 1272 | Left Cover                           | 1                 |
| 4         | G569 6161 | Rear Stand (17/26/27)                | 1                 |
| 5         | A682 1067 | Upper Middle Stay                    | 1                 |
| 6         | G569 6160 | Front Stand (17/26/27)               | 1                 |
| 7         | G568 5320 | Harness - Interface                  | 1                 |
| 8         | G569 1078 | Drawer Bracket                       | 1                 |
| 9         | G567 1280 | Raer Cover                           | 1                 |
| 10        | A048 2838 | Nylon Rivet                          | 1                 |
| 11        | G567 2563 | Band - Stopper                       | 1                 |
| 12        | A682 2559 | Lever Stopper                        | 1                 |
| 13        | AA06 0715 | Pressure Spring                      | 1                 |
| 14        | AA14 0670 | Un Lock Shaft                        | 1                 |
| 15        | G568 2551 | Lever - Vertical Transport           | 1                 |
| 16        | G567 2562 | Guide - Grip Guard                   | 1                 |
| 17        | A682 2553 | Rear Hook - Vertical Transport Cover | 1                 |
| 18        | G567 2560 | Vertical Transport Cover             | 1                 |
| 19        | A682 2552 | Front Hook - Vertical Transport      | 1                 |
| 20        | A232 2862 | Driven Roller                        | 1                 |
| 21        | AA08 0254 | Bushing - M4                         | 2                 |
| 22        | AA06 3573 | Compression Spring                   | 2                 |
| 23        | G567 1255 | Cover:Right                          | 1                 |
| 24        | G568 6220 | Fixing Screw                         | 1                 |
| 25        | G567 6310 | Bracket:Coupling:Paper Bank          | 1                 |
| 26        | G567 6311 | Bracket:Coupling:2                   | 1                 |
| 27        | AH01 2013 | Stopper Caster - 60kgf               | 2                 |
| 28        | A507 1096 | Philips Screw - M5x6                 | 8                 |
| 29        | AH01 2014 | Caster - 60kgf                       | 2                 |
| 30        | GA00 3056 | Decal - Heater Warning (17/26/27)    | 1                 |
| 30        | GA00 3056 | Decal - Heater Warning (57/66/67)    | 1                 |
| 31        | G568 6560 | Heater Sink Plate (17/26/27)         | 1                 |
| 32        | A230 2525 | Stopper - Heater (17/26/27)          | 1                 |
| 33        | G568 5340 | Heater Harness                       | 1                 |
| 34        | AX40 0109 | Heater - 120V 9W (17/26/27)          | 1                 |

| Index No. | Part No.   | Description                                | Q'ty Per Assembly |
|-----------|------------|--|-------------------|
| 34        | AX40 0110  | Heater - 230V 9W (17/26/27)                | 1                 |
| 35        | G568 1080  | Anchor Clip - 1026                         | 2                 |
| 36        | G569 6168  | Rear Left Stand Bracket                    | 1                 |
| 37        | A548 6121  | Screw - M4                                 | 2                 |
| 38        | G567 2565  | Grouding Plate - Vertical Tranport         | 1                 |
| 39        | G569 6169  | Rear Right Stand Bracket                   | 1                 |
| 40        | G313 5560  | Heater - 13w 100mm NA/EU (57/66/67)        | 1                 |
| 41        | G568 6570  | Decal - Hightemperature 120 ° C (57/66/67) | 1                 |
| 42        | G569 6170  | Bracket - Stand                            | 1                 |
| 43        | G569 6207  | Screw - Stand Long                         | 1                 |
| 44        | G569 6206  | Screw - Stand Short                        | 1                 |
| 45        | G569 6200  | Side Stand (57/66/67)                      | 2                 |
| 101       | 0451 3008H | Tapping Screw - M3x8                       |                   |
| 102       | 0450 3012B | Tapping Screw -3x12                        |                   |
| 103       | 0451 3006B | Tapping Screw - M3x6                       |                   |
| 104       | 0805 0088  | Retaining Ring - M6                        |                   |
| 105       | 0450 3008B | Tapping Screw - M3x8                       |                   |
| 106       | 0353 0060B | Philips Pan Head Screw - M3x6              |                   |
| 107       | 0951 4008Z | Double Sens Screw - M4X8                   |                   |
| 108       | 1105 0487  | Harness Clamp                              |                   |

## 2.Paper Cassette (G567)

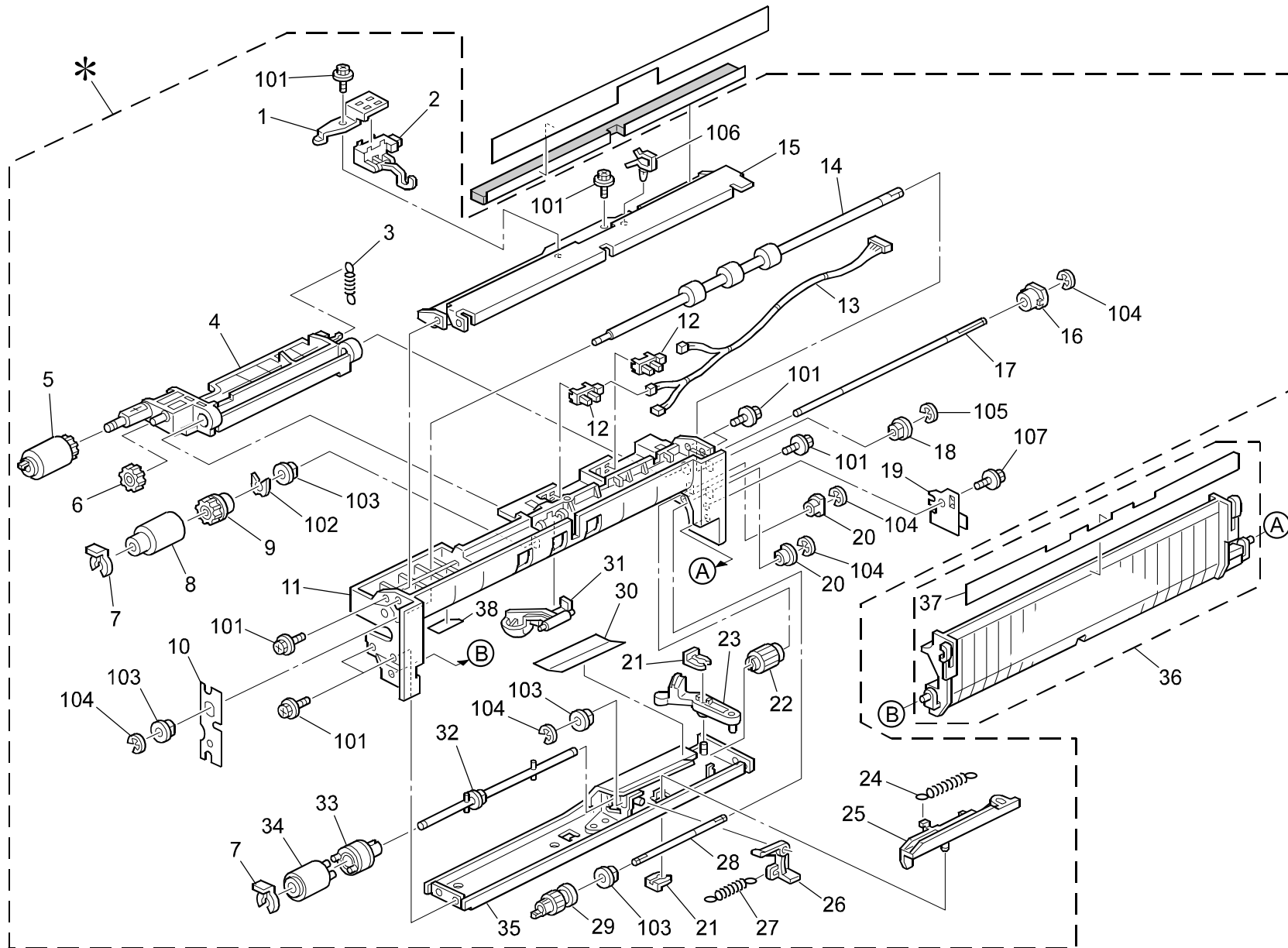


## 2.Paper Cassette (G567)

| Index No. | Part No.  | Description                            | Q'ty Per Assembly |
|-----------|-----------|--|-------------------|
| 1         | G568 2952 | Paper Tray - Paper Bank (17/26/27)     | 1                 |
| 1         | G568 2953 | Paper Tray Paper Bank Ass'y (57/66/67) | 1                 |
| 2         | G568 2790 | Paper Size Sensor Cover                | 1                 |
| 3         | G568 2796 | Link - Paper Size Detection Plate      | 1                 |
| 4         | G568 2783 | Side Fence:Front:Ass'y                 | 1                 |
| 5         | GA00 3053 | Decal:Paper Tray:No.2:Left (17/26/27)  | 1                 |
| 5         | GA00 3067 | Decal:Paper Tray:No.2:Left (57/66/67)  | 1                 |
| 6         | A134 2976 | Stopper Lever                          | 1                 |
| 7         | A134 2978 | Spring Plate                           | 1                 |
| 8         | G568 2789 | Front Paper Holder (17/26/27)          | 1                 |
| 9         | G568 2770 | Tray Bottom Plate:Hltr:Ass'y           | 1                 |
| 10        | AF01 3014 | Bottom Plate Pad                       | 1                 |
| 11        | G568 2784 | End Fence                              | 1                 |
| 12        | AB01 3868 | Gear - 16Z                             | 1                 |
| 13        | G568 2800 | Flange - Paper Size Detection Plate    | 1                 |
| 14        | G568 2797 | Paper Size Sensor Board                | 1                 |
| 15        | G568 2786 | Side Fence:Rear:Ass'y                  | 1                 |
| 16        | GA00 3054 | Decal:Paper Tray:No.2:Right (17/26/27) | 1                 |
| 16        | GA00 3068 | Decal:Paper Tray:No.2:Right (57/66/67) | 1                 |
| 17        | G568 2792 | Rear Paper Holder (17/26/27)           | 1                 |
| 18        | A267 2857 | Spring Plate - Side Fence              | 1                 |
| 19        | A267 2860 | Rear Lever Stopper                     | 1                 |
| 20        | A267 2859 | Side Fence Stopper                     | 1                 |
| 21        | G313 2775 | Spring Plate                           | 1                 |
| 22        | A232 2987 | Roller - Paper Tray                    | 1                 |
| 23        | G060 2774 | Lift Shaft                             | 1                 |
| 24        | A204 2972 | Bottom Lift Lever                      | 1                 |
| 25        | G313 2783 | Tension Spring - Paper Size Detect     | 1                 |
| 26        | G568 2794 | Lower Shield                           | 1                 |
| 27        | G313 2782 | Shield                                 | 1                 |
| 28        | G568 2925 | Shield:Side Fence:Ass'y (57/66/67)     | 2                 |
| 29        | G313 2788 | Cushion:Base:2                         | 1                 |
| 30        | G313 2787 | Cushion:Tray Bottom Plate              | 1                 |
| 31        | G568 2758 | Paper Stopper:Side Fence               | 1                 |

| Index No. | Part No.   | Description                   | Q'ty Per Assembly |
|-----------|------------|-------------------------------|-------------------|
| 101       | 0450 3008B | Tapping Screw - M3x8          |                   |
| 102       | 0450 4010B | Tapping Screw - 4x10          |                   |
| 103       | 0720 0060B | Retaining Ring - M6           |                   |
| 104       | 0314 0060B | Philips Pan Head Screw - M4x6 |                   |

### 3.Paper Feed Section (G567)



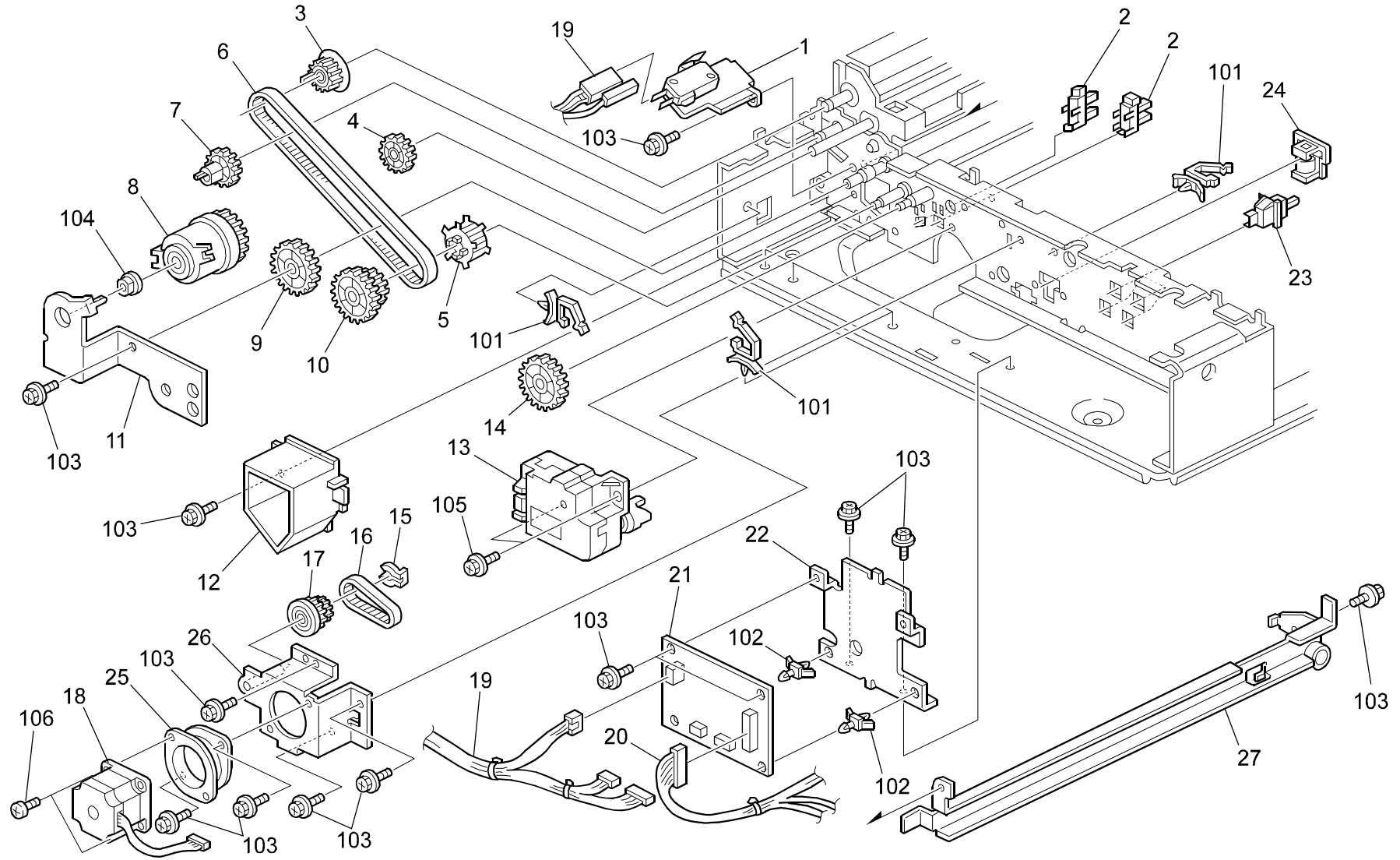
### 3.Paper Feed Section (G567)

| Index No. | Part No.  | Description                           | Q'ty Per Assembly |
|-----------|-----------|---------------------------------------|-------------------|
| *         | G568 2650 | Paper Feed Unit (17/26/27)            | 1                 |
| *         | G568 2660 | Paper Feed Unit Ass'y (57/66/67)      | 1                 |
| 1         | A232 2781 | Sensor Bracket                        | 1                 |
| 2         | AW02 0131 | Photo-interruptor-vertical Transp.    | 1                 |
| 3         | AA06 0691 | Tension Spring                        | 1                 |
| 4         | A232 2763 | Pick-up Arm                           | 1                 |
| 5         | AF03 0049 | Pick-up Roller (17/26/27)             | 1                 |
| 5         | AF03 0085 | Paper Feed Roller - Pickup (57/66/67) | 1                 |
| 6         | AB01 1188 | Gear - 21Z                            | 1                 |
| 7         | AA10 0014 | Retaining Ring C - Separate           | 2                 |
| 8         | AF03 1049 | Feed Roller (17/26/27)                | 1                 |
| 8         | AF03 1085 | Paper Feed Roller - Feed (57/66/67)   | 1                 |
| 9         | AB01 1218 | Gear - ROLLER CLUTCH                  | 1                 |
| 10        | G313 2765 | Front Grounding Plate                 | 1                 |
| 11        | G568 2857 | Housing:Paper Feed Unit:Florida-b     | 1                 |
| 12        | AW02 0056 | Photointerruptor - EE-SX4235A-P1      | 2                 |
| 13        | G568 5370 | Harness - Paper Feed Unit             | 1                 |
| 14        | AF02 0404 | Transport Roller                      | 1                 |
| 15        | A232 2780 | Stay - Paper Feed                     | 1                 |
| 16        | AA08 3014 | One-way Clutch                        | 1                 |
| 17        | AA14 0743 | Shaft - Feed                          | 1                 |
| 18        | AA08 2070 | Bushing - 8x16x7                      | 1                 |
| 19        | G313 2764 | Rear Grounding Plate                  | 1                 |
| 20        | AA08 2072 | Bushing - M6                          | 2                 |
| 21        | 5206 2686 | Snap Ring                             | 2                 |
| 22        | AB01 0107 | Gear - 23Z                            | 1                 |
| 23        | G065 2776 | Release Lever                         | 1                 |
| 24        | AA06 0693 | Tension Spring                        | 1                 |
| 25        | G065 2775 | Link Lever                            | 1                 |
| 26        | G065 2774 | Pressure Lever                        | 1                 |
| 27        | AA06 0908 | Release Spring                        | 1                 |
| 28        | AA14 0656 | Shaft - Gear                          | 1                 |
| 29        | AB01 0106 | Gear - 24Z                            | 1                 |
| 30        | B004 2782 | Rear Feed Mylar                       | 1                 |
| 31        | A232 2762 | Paper End Feeler                      | 1                 |

| Index No. | Part No.   | Description                             | Q'ty Per Assembly |
|-----------|------------|---|-------------------|
| 32        | G568 2689  | Bank Separate Driven Shaft              | 1                 |
| 33        | G060 2900  | Torque Limiter - 40mn·m:mm18            | 1                 |
| 34        | AF03 2049  | Separation Roller (17/26/27)            | 1                 |
| 34        | AF03 2085  | Paper Feed Roller - Separate (57/66/67) | 1                 |
| 35        | G060 2725  | Stay - Paper Separation                 | 1                 |
| 36        | A232 2785  | Vertical Guide (17/26/27)               | 1                 |
| 36        | A232 2786  | Guide Plate (57/66/67)                  | 1                 |
| 37        | A232 2787  | Vertical Transport Guide                | 1                 |
| 38        | A232 2766  | Feed Mylar                              | 1                 |
| 101       | 0451 3008B | Tapping Screw - M3x8                    |                   |
| 102       | 0805 0089  | Retaining Ring - M4                     |                   |
| 103       | 0805 3480  | Bushing - 6mm                           |                   |
| 104       | 0720 0040E | Retaining Ring - M4                     |                   |
| 105       | 0720 0060E | Retaining Ring - M6                     |                   |
| 106       | 1105 0511  | Harness Clamp - LWS-0306ZC              |                   |
| 107       | 0450 3008B | Tapping Screw - M3x8                    |                   |



## 4. Drive And Electrical (G567)



#### 4. Drive And Electrical (G567)

| Index No. | Part No.  | Description                      | Q'ty Per Assembly |
|-----------|-----------|----------------------------------|-------------------|
| 1         | A232 2881 | Micro Switch - On-off Detector   | 1                 |
| 2         | AW02 0056 | Photointerruptor - EE-SX4235A-P1 | 2                 |
| 3         | AB03 0565 | Timing Pulley - 20T              | 1                 |
| 4         | G569 2724 | Gear - Z24                       | 1                 |
| 5         | G568 2838 | Timing Pulley - 20T              | 1                 |
| 6         | G569 2819 | Timing Belt - S3M 222            | 1                 |
| 7         | AB01 4038 | Gear - 22Z                       | 1                 |
| 8         | AX20 0221 | Magnetic Clutch - Paper Feed     | 1                 |
| 9         | G569 2822 | Gear - Z30                       | 1                 |
| 10        | G568 2836 | Gear - Z28/20T                   | 1                 |
| 11        | G569 2846 | Upper Drum Stay - Feed Roller    | 1                 |
| 12        | G568 2692 | Cover - Drive                    | 1                 |
| 13        | AX04 0128 | DC Motor - 2.16W                 | 1                 |
| 14        | G569 2829 | Gear - 31Z                       | 1                 |
| 15        | 5215 2621 | Snap Ring - M6                   | 1                 |
| 16        | G569 2850 | Timing Belt - S3M150             | 1                 |
| 17        | G568 2835 | Gear - Z19/29T                   | 1                 |
| 18        | G568 2702 | Stepper Motor - DC4.42W          | 1                 |
| 19        | G567 5300 | Harness - Main                   | 1                 |
| 20        | G567 5310 | Harness - Paper Size Sensor      | 1                 |
| 21        | G567 5110 | Interface Board (17/26/27)       | 1                 |
| 21        | G567 5115 | PCB Ass'y (57/66/67)             | 1                 |
| 22        | G567 1186 | Bracket - Interface Board        | 1                 |
| 23        | AW50 0023 | Push Switch                      | 4                 |
| 24        | G060 2801 | Holder - Paper Tray              | 1                 |
| 25        | AA16 1131 | Cushion - Stepper Motor          | 1                 |
| 26        | G568 2830 | Bracket - Stepper Motor          | 1                 |
| 27        | G568 2990 | Paper Tray Supporter             | 1                 |

| Index No. | Part No.   | Description                   | Q'ty Per Assembly |
|-----------|------------|-------------------------------|-------------------|
| 101       | 1105 0487  | Harness Clamp                 |                   |
| 102       | 1105 0192  | Locking Support               |                   |
| 103       | 0451 3006B | Tapping Screw - M3x6          |                   |
| 104       | 0805 3480  | Bushing - 6mm                 |                   |
| 105       | 0451 3008B | Tapping Screw - M3x8          |                   |
| 106       | 0314 0080B | Philips Pan Head Screw - M4x8 |                   |



## 5.Interface Board (G567 17/26/27)

### CAPACITOR

| SYMBOL NO. | INDEX NO. |
|------------|-----------|
| C100       | 136       |
| C101       | 136       |
| C102       | 136       |
| C103       | 135       |
| C104       | 141       |
| C105       | 140       |
| C106       | 140       |
| C107       | 140       |
| C108       | 140       |
| C109       | 140       |

| SYMBOL NO. | INDEX NO. |
|------------|-----------|
| C110       | 140       |
| C111       | 140       |
| C112       | 140       |
| C113       | 140       |
| C114       | 140       |
| C115       | 140       |
| C116       | 140       |
| C117       | 140       |
| C118       | 139       |
| C119       | 139       |

| SYMBOL NO. | INDEX NO. |
|------------|-----------|
| C120       | 139       |
| C121       | 139       |
| C122       | 139       |
| C123       | 139       |
| C124       | 139       |
| C125       | 139       |
| C126       | 139       |
| C127       | 139       |
| C128       | 138       |
| C129       | 138       |

| SYMBOL NO. | INDEX NO. |
|------------|-----------|
| C130       | 137       |
| C131       | 137       |
| C132       | 139       |
| C133       | 139       |
| C134       | 139       |
| C135       | 139       |

### CONNECTOR

| SYMBOL NO. | INDEX NO. |
|------------|-----------|
| CN100      | 104       |
| CN101      | 102       |
| CN102      | 101       |
| CN103      | 107       |
| CN104      | 103       |
| CN105      | 105       |
| CN200      | 106       |

| SYMBOL NO. | INDEX NO. |
|------------|-----------|
| IC100      | 1         |
| IC101      | 116       |
| IC102      | 113       |
| IC103      | 112       |
| IC104      | 117       |
| IC105      | 114       |
| IC106      | 115       |

### JP

| SYMBOL NO. | INDEX NO. |
|------------|-----------|
| JP100      | 131       |

### OSC

| SYMBOL NO. | INDEX NO. |
|------------|-----------|
| OSC100     | 118       |

### PC

| SYMBOL NO. | INDEX NO. |
|------------|-----------|
| PC100      | 111       |

### RESISTOR

| SYMBOL NO. | INDEX NO. |
|------------|-----------|
| R100       | 121       |
| R101       | 124       |
| R102       | 124       |
| R103       | 124       |
| R104       | 124       |
| R105       | 124       |
| R106       | 124       |
| R107       | 124       |
| R108       | 124       |
| R109       | 130       |

| SYMBOL NO. | INDEX NO. |
|------------|-----------|
| R110       | 130       |
| R111       | 129       |
| R112       | 129       |
| R113       | 129       |
| R114       | 129       |
| ---        | ---       |
| R116       | 128       |
| R117       | 127       |
| R118       | 127       |
| R119       | 123       |

| SYMBOL NO. | INDEX NO. |
|------------|-----------|
| R120       | 123       |
| R121       | 126       |
| R122       | 125       |
| R123       | 125       |
| R124       | 122       |
| R125       | 122       |
| R126       | 134       |
| R127       | 132       |
| R128       | 133       |
| R129       | 127       |

### RN

| SYMBOL NO. | INDEX NO. |
|------------|-----------|
| RN100      | 120       |
| RN101      | 120       |
| RN102      | 120       |
| RN103      | 120       |
| RN104      | 120       |
| RN105      | 120       |
| RN106      | 120       |
| RN107      | 120       |
| RN108      | 120       |
| RN109      | 120       |

| SYMBOL NO. | INDEX NO. |
|------------|-----------|
| RN110      | 119       |
| RN111      | 119       |
| RN112      | 119       |

### ZD

| SYMBOL NO. | INDEX NO. |
|------------|-----------|
| ZD100      | 110       |
| ZD101      | 109       |

### Q

| SYMBOL NO. | INDEX NO. |
|------------|-----------|
| Q100       | 108       |

## 5.Interface Board (G567 17/26/27)

| Index No. | Part No.  | Description      | Q'ty Per Assembly |
|-----------|-----------|------------------|-------------------|
| *         | G567 5110 | Interface Board  | 1                 |
| 1         | G567 5510 | IC - I/O Control | 1                 |

| Index No. | Part No.  | Description                                 | Q'ty Per Assembly |
|-----------|-----------|---|-------------------|
| 101       | 1102 6299 | Connector - 6P                              |                   |
| 102       | 1102 6300 | Connector - 7P                              |                   |
| 103       | 1102 6302 | Connector - 9P                              |                   |
| 104       | 1102 6307 | Connector - 14P                             |                   |
| 105       | 1102 6308 | Connector - 15P                             |                   |
| 106       | 1102 6321 | Connector                                   |                   |
| 107       | 1102 7244 | Connector                                   |                   |
| 108       | 1400 0398 | Transistor - 2SC2412K                       |                   |
| 109       | 1402 1378 | Diode - PTZ12A                              |                   |
| 110       | 1402 1380 | Diode - PTZ 6.2A                            |                   |
| 111       | 1403 0520 | Photocoupler - Tlp521-1                     |                   |
| 112       | 1407 1596 | TTLIC - SN74LS14NS                          |                   |
| 113       | 1407 2187 | TTLIC - SN74LS07NS                          |                   |
| 114       | 1407 2231 | IC - TD62308AF                              |                   |
| 115       | 1407 4687 | IC - TA8083F                                |                   |
| 116       | 1408 0611 | IC - 3771                                   |                   |
| 117       | 1408 1394 | IC - STK672-110                             |                   |
| 118       | 1503 0865 | Oscillator - 9.8304MHZ                      |                   |
| 119       | 1601 7751 | Resistor - 4.7K $\Omega$ $\pm$ 5%           |                   |
| 120       | 1601 7752 | Resistor Array - 10K $\Omega$ $\pm$ 5%      |                   |
| 121       | 1611 9222 | Resistor - 2.2K $\Omega$ $\pm$ 5% 1/2W      |                   |
| 122       | 1630 4100 | Resistor - 10 $\Omega$ $\pm$ 5% 1/16W       |                   |
| 123       | 1630 4102 | Resistor - 1.0K $\Omega$ $\pm$ 5% 1/16W     |                   |
| 124       | 1630 4103 | Resistor - 10K $\Omega$ $\pm$ 5% 1/16W      |                   |
| 125       | 1630 4161 | Resistor - 160 $\Omega$ $\pm$ 5% 1/16W      |                   |
| 126       | 1630 4201 | Resistor - 200 $\Omega$ $\pm$ 5% 1/16W      |                   |
| 127       | 1630 4222 | Resistor - 2.2K $\Omega$ $\pm$ 5%           |                   |
| 128       | 1630 4392 | Resistor - 3.9 $\Omega$ $\pm$ 5% 1/16W      |                   |
| 129       | 1630 4472 | Resistor - 4.7K $\Omega$ $\pm$ 5% 1/16W     |                   |
| 130       | 1630 4562 | Resistor - 5.6k $\Omega$ - $\pm$ 5% - 1/16W |                   |
| 131       | 1633 0000 | Resistor - 0 $\Omega$ 1/10W                 |                   |
| 132       | 1634 5100 | Resistor - 510 $\Omega$ $\pm$ 1% 1/16W      |                   |
| 133       | 1634 5109 | Resistor - 51.0 $\Omega$ $\pm$ 1% 1/16W     |                   |
| 134       | 1634 8201 | Resistor - 8.2K $\Omega$ $\pm$ 1% 1/16W     |                   |
| 135       | 1640 5100 | Capacitor - 10 $\mu$ F+20% 50               |                   |

| Index No. | Part No.  | Description                           | Q'ty Per Assembly |
|-----------|-----------|---------------------------------------|-------------------|
| 136       | 1640 5470 | Capacitor - 47 $\mu$ F $\pm$ 20% 50V  |                   |
| 137       | 1660 2220 | Capacitor - 22pF $\pm$ 20% 35V        |                   |
| 138       | 1660 2471 | Capacitor - 470pF - $\pm$ 5% - 50V    |                   |
| 139       | 1660 4102 | Capacitor - 1000pF $\pm$ 10% 50V      |                   |
| 140       | 1660 4103 | Capacitor - 10000pF - $\pm$ 10% - 50V |                   |
| 141       | 1660 8104 | Capacitor - 0.1 $\mu$ F+80-20% 25V    |                   |

| Index No. | Part No. | Description | Q'ty Per Assembly |
|-----------|----------|-------------|-------------------|
|           |          |             |                   |



## 6.Interface Board (G567 57/66/67)

### CAPACITOR

| SYMBOL NO. | INDEX NO. |
|------------|-----------|
| C100       | 121       |
| C101       | 125       |
| C102       | 120       |
| C103       | 124       |
| C104       | 141       |
| C105       | 140       |
| C106       | 140       |
| C107       | 140       |
| C108       | 140       |
| C109       | 138       |

| SYMBOL NO. | INDEX NO. |
|------------|-----------|
| C110       | 140       |
| C111       | 140       |
| C112       | 140       |
| C113       | 140       |
| C114       | 140       |
| C115       | 140       |
| C116       | 140       |
| C117       | 140       |
| C118       | 139       |
| C119       | 139       |

| SYMBOL NO. | INDEX NO. |
|------------|-----------|
| C120       | 139       |
| C121       | 139       |
| C122       | 139       |
| C123       | 139       |
| C124       | 139       |
| C125       | 139       |
| C126       | 139       |
| C127       | 139       |
| C128       | 138       |
| C129       | 138       |

| SYMBOL NO. | INDEX NO. |
|------------|-----------|
| C130       | 137       |
| C131       | 137       |
| C132       | 139       |
| C133       | 139       |
| C134       | 139       |
| C135       | 139       |
| C136       | 138       |
| C137       | 141       |
| C138       | 141       |
| C139       | 141       |

| SYMBOL NO. | INDEX NO. |
|------------|-----------|
| C140       | 141       |
| C141       | 141       |
| C142       | 141       |
| C143       | 141       |
| C144       | 141       |

### CONNECTOR IC

| SYMBOL NO. | INDEX NO. |
|------------|-----------|
| CN100      | 103       |
| CN101      | 101       |
| CN102      | 100       |
| CN103      | 106       |
| CN104      | 102       |
| CN105      | 104       |
| ---        | ---       |
| ---        | ---       |
| ---        | ---       |
| CN200      | 105       |

| SYMBOL NO. | INDEX NO. |
|------------|-----------|
| IC100      | 1         |
| IC101      | 115       |
| IC102      | 112       |
| IC103      | 111       |
| IC104      | 116       |
| IC105      | 113       |
| IC106      | 114       |

### JP

| SYMBOL NO. | INDEX NO. |
|------------|-----------|
| JP100      | 123       |

### PC

| SYMBOL NO. | INDEX NO. |
|------------|-----------|
| PC100      | 110       |

### RESISTOR

| SYMBOL NO. | INDEX NO. |
|------------|-----------|
| R100       | 122       |
| R101       | 128       |
| ---        | ---       |
| R103       | 128       |
| R104       | 128       |
| R105       | 128       |
| R106       | 128       |
| R107       | 128       |
| R108       | 128       |
| R109       | 133       |

| SYMBOL NO. | INDEX NO. |
|------------|-----------|
| R110       | 133       |
| R111       | 132       |
| R112       | 132       |
| R113       | 132       |
| R114       | 132       |
| ---        | ---       |
| R116       | 139       |
| R117       | 131       |
| R118       | 131       |
| R119       | 127       |

| SYMBOL NO. | INDEX NO. |
|------------|-----------|
| R120       | 127       |
| R121       | 130       |
| R122       | 129       |
| R123       | 129       |
| R124       | 126       |
| R125       | 126       |
| R126       | 136       |
| R127       | 134       |
| R128       | 135       |
| R129       | 131       |

### RN

| SYMBOL NO. | INDEX NO. |
|------------|-----------|
| RN100      | 119       |
| RN101      | 119       |
| RN102      | 119       |
| RN103      | 119       |
| RN104      | 119       |
| RN105      | 119       |
| RN106      | 119       |
| RN107      | 119       |
| RN108      | 119       |
| RN109      | 119       |

| SYMBOL NO. | INDEX NO. |
|------------|-----------|
| RN110      | 118       |
| RN111      | 118       |
| RN112      | 118       |

### OSC

| SYMBOL NO. | INDEX NO. |
|------------|-----------|
| OSC100     | 117       |

### Q

| SYMBOL NO. | INDEX NO. |
|------------|-----------|
| Q100       | 107       |

### ZD

| SYMBOL NO. | INDEX NO. |
|------------|-----------|
| ZD100      | 108       |
| ZD101      | 109       |

## 6.Interface Board (G567 57/66/67)

| Index No. | Part No.  | Description        | Q'ty Per Assembly |
|-----------|-----------|--------------------|-------------------|
| *         | G567 5115 | PCB Ass'y          | 1                 |
| 1         | G567 5540 | MPU:I/O:MAJORCA:P3 | 1                 |

| Index No. | Part No.  | Description                             | Q'ty Per Assembly |
|-----------|-----------|---|-------------------|
| 100       | 1102 6299 | Connector - 6P                          |                   |
| 101       | 1102 6300 | Connector - 7P                          |                   |
| 102       | 1102 6302 | Connector - 9P                          |                   |
| 103       | 1102 6307 | Connector - 14P                         |                   |
| 104       | 1102 6308 | Connector - 15P                         |                   |
| 105       | 1102 6321 | Connector                               |                   |
| 106       | 1102 7244 | Connector                               |                   |
| 107       | 1400 0398 | Transistor - 2SC2412K                   |                   |
| 108       | 1402 1662 | Diode:Ptz6.2b                           |                   |
| 109       | 1402 1663 | Diode - ZTP12B                          |                   |
| 110       | 1403 0520 | Photocoupler - TLP521-1                 |                   |
| 111       | 1407 1596 | TTLIC - SN74LS14NS                      |                   |
| 112       | 1407 2187 | TTLIC - SN74LS07NS                      |                   |
| 113       | 1407 2231 | IC - TD62308AF                          |                   |
| 114       | 1407 4687 | IC - TA8083F                            |                   |
| 115       | 1408 0611 | IC - 3771                               |                   |
| 116       | 1408 1394 | IC - STK672-110                         |                   |
| 117       | 1503 0865 | Oscillator - 9.8304MHZ                  |                   |
| 118       | 1601 7751 | Resistor - 4.7K $\Omega$ $\pm$ 5%       |                   |
| 119       | 1601 7752 | Resistor Array - 10K $\Omega$ $\pm$ 5%  |                   |
| 120       | 1604 2522 | Capacitor - 220 $\mu$ F $\pm$ 20%       |                   |
| 121       | 1604 4659 | Capacitor - 120 $\mu$ F $\pm$ 20% 50V   |                   |
| 122       | 1611 9222 | Resistor - 2.2K $\Omega$ $\pm$ 5% 1/2W  |                   |
| 123       | 1633 0000 | Resistor - 0 $\Omega$ 1/10W             |                   |
| 124       | 1640 5100 | Capacitor - 10 $\mu$ F+20% 50           |                   |
| 125       | 1640 5470 | Capacitor - 47 $\mu$ F $\pm$ 20% 50V    |                   |
| 126       | 1650 4100 | Resistor - 10 $\Omega$ $\pm$ 5% 1/10W   |                   |
| 127       | 1650 4102 | Resistor - 1K $\Omega$ $\pm$ 5% 1/10W   |                   |
| 128       | 1650 4103 | Resistor - 10K $\Omega$ $\pm$ 5% 1/10W  |                   |
| 129       | 1650 4161 | Resistor - 160 $\Omega$ $\pm$ 5% 1/10W  |                   |
| 130       | 1650 4201 | Resistor - 200 $\Omega$ $\pm$ 5%1/10W   |                   |
| 131       | 1650 4222 | Resistor - 2.2K $\Omega$ $\pm$ 5%1/10W  |                   |
| 132       | 1650 4472 | Resistor - 4.7K $\Omega$ $\pm$ 5% 1/10W |                   |
| 133       | 1650 4562 | Resistor - 5.6K $\Omega$ $\pm$ 5% 1/10W |                   |
| 134       | 1654 5100 | Resistor:510 $\Omega$ : $\pm$ 1%:1/10w  |                   |



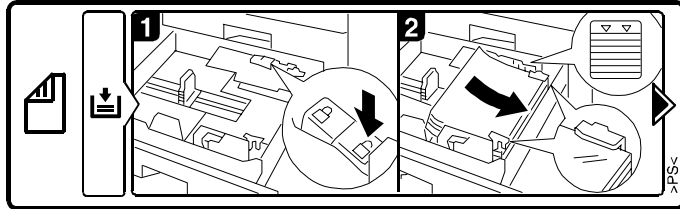
| Index No. | Part No.  | Description                      | Q'ty Per Assembly |
|-----------|-----------|----------------------------------|-------------------|
| 135       | 1654 5109 | Resistor:51Ω:±1%:1/10w           |                   |
| 136       | 1654 8201 | Resistor - 8.2KΩ ±1% 1/10W       |                   |
| 137       | 1660 2220 | Capacitor - 22pF ±20% 35V        |                   |
| 138       | 1660 2471 | Capacitor - 470pF - ±5% - 50V    |                   |
| 139       | 1660 4102 | Capacitor - 1000pF ±10% 50V      |                   |
| 140       | 1660 4103 | Capacitor - 10000pF - ±10% - 50V |                   |
| 141       | 1660 8104 | Capacitor - 0.1μF+80-20% 25V     |                   |

| Index No. | Part No. | Description | Q'ty Per Assembly |
|-----------|----------|-------------|-------------------|
|           |          |             |                   |

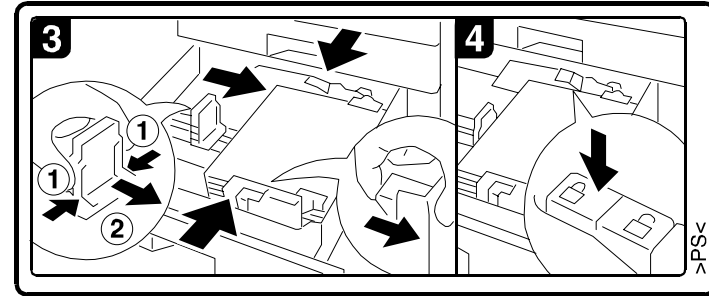


## 7.Decals And Documents (G567)

1



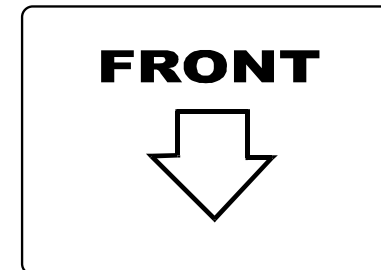
2



3



4



### 7.Decals And Documents (G567)

| Index No. | Part No.  | Description                            | Q'ty Per Assembly |
|-----------|-----------|--|-------------------|
| 1         | GA00 3053 | Decal:Paper Tray:No.2:Left (17/26/27)  | 1                 |
| 1         | GA00 3067 | Decal:Paper Tray:No.2:Left (57/66/67)  | 1                 |
| 2         | GA00 3054 | Decal:Paper Tray:No.2:Right (17/26/27) | 1                 |
| 2         | GA00 3068 | Decal:Paper Tray:No.2:Right (57/66/67) | 1                 |
| 3         | GA00 3056 | Decal - Heater Warning                 | 1                 |
| 4         | GA00 3040 | Decal - Front                          | 1                 |

| Index No. | Part No. | Description | Q'ty Per Assembly |
|-----------|----------|-------------|-------------------|
|           |          |             |                   |

# Parts Index

## Parts Index

| Part No.  | Description                        | Page and Index No. |
|-----------|------------------------------------|--------------------|
| G567 1186 | Bracket - Interface Board          | 9 - 22             |
| G567 1255 | Cover:Right                        | 3 - 23             |
| G567 1272 | Left Cover                         | 3 - 3              |
| G567 1280 | Raer Cover                         | 3 - 9              |
| G567 2560 | Vertical Transport Cover           | 3 - 18             |
| G567 2562 | Guide - Grip Guard                 | 3 - 16             |
| G567 2563 | Band - Stopper                     | 3 - 11             |
| G567 2565 | Grouding Plate - Vertical Tranport | 3 - 38             |
| G567 5110 | Interface Board (17/26/27)         | 9 - 21             |
| G567 5110 | Interface Board                    | 11 - *             |
| G567 5115 | PCB Ass'y (57/66/67)               | 9 - 21             |
| G567 5115 | PCB Ass'y                          | 13 - *             |
| G567 5300 | Harness - Main                     | 9 - 19             |
| G567 5310 | Harness - Paper Size Sensor        | 9 - 20             |
| G567 5510 | IC - I/O Control                   | 11 - 1             |
| G567 5540 | MPU:I/O:MAJORCA:P3                 | 13 - 1             |
| G567 6310 | Bracket:Coupling:Paper Bank        | 3 - 25             |
| G567 6311 | Bracket:Coupling:2                 | 3 - 26             |

| Part No.  | Description                          | Page and Index No. |
|-----------|--------------------------------------|--------------------|
| A048 2838 | Nylon Rivet                          | 3 - 10             |
| A134 2976 | Stopper Lever                        | 5 - 6              |
| A134 2978 | Spring Plate                         | 5 - 7              |
| A204 2972 | Bottom Lift Lever                    | 5 - 24             |
| A230 2525 | Stopper - Heater (17/26/27)          | 3 - 32             |
| A232 2762 | Paper End Feeler                     | 7 - 31             |
| A232 2763 | Pick-up Arm                          | 7 - 4              |
| A232 2766 | Feed Mylar                           | 7 - 38             |
| A232 2780 | Stay - Paper Feed                    | 7 - 15             |
| A232 2781 | Sensor Bracket                       | 7 - 1              |
| A232 2785 | Vertical Guide (17/26/27)            | 7 - 36             |
| A232 2786 | Guide Plate (57/66/67)               | 7 - 36             |
| A232 2787 | Vertical Transport Guide             | 7 - 37             |
| A232 2862 | Driven Roller                        | 3 - 20             |
| A232 2881 | Micro Switch - On-off Detector       | 9 - 1              |
| A232 2987 | Roller - Paper Tray                  | 5 - 22             |
| A267 2857 | Spring Plate - Side Fence            | 5 - 18             |
| A267 2859 | Side Fence Stopper                   | 5 - 20             |
| A267 2860 | Rear Lever Stopper                   | 5 - 19             |
| A507 1096 | Philips Screw - M5x6                 | 3 - 28             |
| A548 6121 | Screw - M4                           | 3 - 37             |
| A682 1067 | Upper Middle Stay                    | 3 - 5              |
| A682 2552 | Front Hook - Vertical Transport      | 3 - 19             |
| A682 2553 | Rear Hook - Vertical Transport Cover | 3 - 17             |
| A682 2559 | Lever Stopper                        | 3 - 12             |
| B004 2782 | Rear Feed Mylar                      | 7 - 30             |
| G060 2725 | Stay - Paper Separation              | 7 - 35             |
| G060 2774 | Lift Shaft                           | 5 - 23             |
| G060 2801 | Holder - Paper Tray                  | 9 - 24             |
| G060 2900 | Torque Limiter - 40mn·m:mm18         | 7 - 33             |
| G065 2774 | Pressure Lever                       | 7 - 26             |
| G065 2775 | Link Lever                           | 7 - 25             |
| G065 2776 | Release Lever                        | 7 - 23             |
| G313 2764 | Rear Grounding Plate                 | 7 - 19             |
| G313 2765 | Front Grounding Plate                | 7 - 10             |

| Part No.  | Description                            | Page and Index No. |
|-----------|--|--------------------|
| G313 2775 | Spring Plate                           | 5 - 21             |
| G313 2782 | Shield                                 | 5 - 27             |
| G313 2783 | Tension Spring - Paper Size Detect     | 5 - 25             |
| G313 2787 | Cushion:Tray Bottom Plate              | 5 - 30             |
| G313 2788 | Cushion:Base:2                         | 5 - 29             |
| G313 5560 | Heater - 13w 100mm NA/EU (57/66/67)    | 3 - 40             |
| G568 1080 | Anchor Clip - 1026                     | 3 - 35             |
| G568 1160 | Sheet - Base                           | 3 - 1              |
| G568 1286 | Left Stopper                           | 3 - 2              |
| G568 2551 | Lever - Vertical Transport             | 3 - 15             |
| G568 2650 | Paper Feed Unit (17/26/27)             | 7 - *              |
| G568 2660 | Paper Feed Unit Ass'y (57/66/67)       | 7 - *              |
| G568 2689 | Bank Separate Driven Shaft             | 7 - 32             |
| G568 2692 | Cover - Drive                          | 9 - 12             |
| G568 2702 | Stepper Motor - DC4.42W                | 9 - 18             |
| G568 2758 | Paper Stopper:Side Fence               | 5 - 31             |
| G568 2770 | Tray Bottom Plate:Hltr:Ass'y           | 5 - 9              |
| G568 2783 | Side Fence:Front:Ass'y                 | 5 - 4              |
| G568 2784 | End Fence                              | 5 - 11             |
| G568 2786 | Side Fence:Rear:Ass'y                  | 5 - 15             |
| G568 2789 | Front Paper Holder (17/26/27)          | 5 - 8              |
| G568 2790 | Paper Size Sensor Cover                | 5 - 2              |
| G568 2792 | Rear Paper Holder (17/26/27)           | 5 - 17             |
| G568 2794 | Lower Shield                           | 5 - 26             |
| G568 2796 | Link - Paper Size Detection Plate      | 5 - 3              |
| G568 2797 | Paper Size Sensor Board                | 5 - 14             |
| G568 2800 | Flange - Paper Size Detection Plate    | 5 - 13             |
| G568 2830 | Bracket - Stepper Motor                | 9 - 26             |
| G568 2835 | Gear - Z19/29T                         | 9 - 17             |
| G568 2836 | Gear - Z28/20T                         | 9 - 10             |
| G568 2838 | Timing Pulley - 20T                    | 9 - 5              |
| G568 2857 | Housing:Paper Feed Unit:Florida-b      | 7 - 11             |
| G568 2925 | Shield:Side Fence:Ass'y (57/66/67)     | 5 - 28             |
| G568 2952 | Paper Tray - Paper Bank (17/26/27)     | 5 - 1              |
| G568 2953 | Paper Tray Paper Bank Ass'y (57/66/67) | 5 - 1              |

| Part No.  | Description                                | Page and Index No. |
|-----------|--|--------------------|
| G568 2990 | Paper Tray Supporter                       | 9 - 27             |
| G568 5320 | Harness - Interface                        | 3 - 7              |
| G568 5340 | Heater Harness                             | 3 - 33             |
| G568 5370 | Harness - Paper Feed Unit                  | 7 - 13             |
| G568 6220 | Fixing Screw                               | 3 - 24             |
| G568 6560 | Heater Sink Plate (17/26/27)               | 3 - 31             |
| G568 6570 | Decal - Hightemperature 120 ° C (57/66/67) | 3 - 41             |
| G569 1078 | Drawer Bracket                             | 3 - 8              |
| G569 2724 | Gear - Z24                                 | 9 - 4              |
| G569 2819 | Timing Belt - S3M 222                      | 9 - 6              |
| G569 2822 | Gear - Z30                                 | 9 - 9              |
| G569 2829 | Gear - 31Z                                 | 9 - 14             |
| G569 2846 | Upper Drum Stay - Feed Roller              | 9 - 11             |
| G569 2850 | Timing Belt - S3M150                       | 9 - 16             |
| G569 6160 | Front Stand (17/26/27)                     | 3 - 6              |
| G569 6161 | Rear Stand (17/26/27)                      | 3 - 4              |
| G569 6168 | Rear Left Stand Bracket                    | 3 - 36             |
| G569 6169 | Rear Right Stand Bracket                   | 3 - 39             |
| G569 6170 | Bracket - Stand                            | 3 - 42             |
| G569 6200 | Side Stand (57/66/67)                      | 3 - 45             |
| G569 6206 | Screw - Stand Short                        | 3 - 44             |
| G569 6207 | Screw - Stand Long                         | 3 - 43             |

| Part No.  | Description                             | Page and Index No. |
|-----------|---|--------------------|
| AA06 0691 | Tension Spring                          | 7 - 3              |
| AA06 0693 | Tension Spring                          | 7 - 24             |
| AA06 0715 | Pressure Spring                         | 3 - 13             |
| AA06 0908 | Release Spring                          | 7 - 27             |
| AA06 3573 | Compression Spring                      | 3 - 22             |
| AA08 0254 | Bushing - M4                            | 3 - 21             |
| AA08 2070 | Bushing - 8x16x7                        | 7 - 18             |
| AA08 2072 | Bushing - M6                            | 7 - 20             |
| AA08 3014 | One-way Clutch                          | 7 - 16             |
| AA10 0014 | Retaining Ring C - Separate             | 7 - 7              |
| AA14 0656 | Shaft - Gear                            | 7 - 28             |
| AA14 0670 | Un Lock Shaft                           | 3 - 14             |
| AA14 0743 | Shaft - Feed                            | 7 - 17             |
| AA16 1131 | Cushion - Stepper Motor                 | 9 - 25             |
| AB01 0106 | Gear - 24Z                              | 7 - 29             |
| AB01 0107 | Gear - 23Z                              | 7 - 22             |
| AB01 1188 | Gear - 21Z                              | 7 - 6              |
| AB01 1218 | Gear - ROLLER CLUTCH                    | 7 - 9              |
| AB01 3868 | Gear - 16Z                              | 5 - 12             |
| AB01 4038 | Gear - 22Z                              | 9 - 7              |
| AB03 0565 | Timing Pulley - 20T                     | 9 - 3              |
| AF01 3014 | Bottom Plate Pad                        | 5 - 10             |
| AF02 0404 | Transport Roller                        | 7 - 14             |
| AF03 0049 | Pick-up Roller (17/26/27)               | 7 - 5              |
| AF03 0085 | Paper Feed Roller - Pickup (57/66/67)   | 7 - 5              |
| AF03 1049 | Feed Roller (17/26/27)                  | 7 - 8              |
| AF03 1085 | Paper Feed Roller - Feed (57/66/67)     | 7 - 8              |
| AF03 2049 | Separation Roller (17/26/27)            | 7 - 34             |
| AF03 2085 | Paper Feed Roller - Separate (57/66/67) | 7 - 34             |
| AH01 2013 | Stopper Caster - 60kgf                  | 3 - 27             |
| AH01 2014 | Caster - 60kgf                          | 3 - 29             |
| AW02 0056 | Photointerruptor - EE-SX4235A-P1        | 9 - 2              |
| AW02 0056 | Photointerruptor - EE-SX4235A-P1        | 7 - 12             |
| AW02 0131 | Photo-interruptor-vertical Transp.      | 7 - 2              |
| AW50 0023 | Push Switch                             | 9 - 23             |

| Part No.  | Description                            | Page and Index No. |
|-----------|--|--------------------|
| AX04 0128 | DC Motor - 2.16W                       | 9 - 13             |
| AX20 0221 | Magnetic Clutch - Paper Feed           | 9 - 8              |
| AX40 0109 | Heater - 120V 9W (17/26/27)            | 3 - 34             |
| AX40 0110 | Heater - 230V 9W (17/26/27)            | 3 - 34             |
| GA00 3040 | Decal - Front                          | 15 - 4             |
| GA00 3053 | Decal:Paper Tray:No.2:Left (17/26/27)  | 5 - 5              |
| GA00 3053 | Decal:Paper Tray:No.2:Left (17/26/27)  | 15 - 1             |
| GA00 3054 | Decal:Paper Tray:No.2:Right (17/26/27) | 5 - 16             |
| GA00 3054 | Decal:Paper Tray:No.2:Right (17/26/27) | 15 - 2             |
| GA00 3056 | Decal - Heater Warning (57/66/67)      | 3 - 30             |
| GA00 3056 | Decal - Heater Warning (17/26/27)      | 3 - 30             |
| GA00 3056 | Decal - Heater Warning                 | 15 - 3             |
| GA00 3067 | Decal:Paper Tray:No.2:Left (57/66/67)  | 5 - 5              |
| GA00 3067 | Decal:Paper Tray:No.2:Left (57/66/67)  | 15 - 1             |
| GA00 3068 | Decal:Paper Tray:No.2:Right (57/66/67) | 5 - 16             |
| GA00 3068 | Decal:Paper Tray:No.2:Right (57/66/67) | 15 - 2             |



| Part No.   | Description                   | Page and Index No. |
|------------|-------------------------------|--------------------|
| 0314 0060B | Philips Pan Head Screw - M4x6 | 5 - 104            |
| 0314 0080B | Philips Pan Head Screw - M4x8 | 9 - 106            |
| 0353 0060B | Philips Pan Head Screw - M3x6 | 3 - 106            |
| 0450 3008B | Tapping Screw - M3x8          | 5 - 101            |
| 0450 3008B | Tapping Screw - M3x8          | 7 - 107            |
| 0450 3008B | Tapping Screw - M3x8          | 3 - 105            |
| 0450 3012B | Tapping Screw -3x12           | 3 - 102            |
| 0450 4010B | Tapping Screw - 4x10          | 5 - 102            |
| 0451 3006B | Tapping Screw - M3x6          | 3 - 103            |
| 0451 3006B | Tapping Screw - M3x6          | 9 - 103            |
| 0451 3008B | Tapping Screw - M3x8          | 9 - 105            |
| 0451 3008B | Tapping Screw - M3x8          | 7 - 101            |
| 0451 3008H | Tapping Screw - M3x8          | 3 - 101            |
| 0720 0040E | Retaining Ring - M4           | 7 - 104            |
| 0720 0060B | Retaining Ring - M6           | 5 - 103            |
| 0720 0060E | Retaining Ring - M6           | 7 - 105            |
| 0805 0088  | Retaining Ring - M6           | 3 - 104            |
| 0805 0089  | Retaining Ring - M4           | 7 - 102            |
| 0805 3480  | Bushing - 6mm                 | 9 - 104            |
| 0805 3480  | Bushing - 6mm                 | 7 - 103            |
| 0951 4008Z | Double Sens Screw - M4X8      | 3 - 107            |
| 1102 6299  | Connector - 6P                | 11 -101            |
| 1102 6299  | Connector - 6P                | 13 -100            |
| 1102 6300  | Connector - 7P                | 13 -101            |
| 1102 6300  | Connector - 7P                | 11 -102            |
| 1102 6302  | Connector - 9P                | 13 -102            |
| 1102 6302  | Connector - 9P                | 11 -103            |
| 1102 6307  | Connector - 14P               | 13 -103            |
| 1102 6307  | Connector - 14P               | 11 -104            |
| 1102 6308  | Connector - 15P               | 11 -105            |
| 1102 6308  | Connector - 15P               | 13 -104            |
| 1102 6321  | Connector                     | 11 -106            |
| 1102 6321  | Connector                     | 13 -105            |
| 1102 7244  | Connector                     | 13 -106            |
| 1102 7244  | Connector                     | 11 -107            |

| Part No.  | Description                            | Page and Index No. |
|-----------|--|--------------------|
| 1105 0192 | Locking Support                        | 9 - 102            |
| 1105 0487 | Harness Clamp                          | 3 - 108            |
| 1105 0487 | Harness Clamp                          | 9 - 101            |
| 1105 0511 | Harness Clamp - LWS-0306ZC             | 7 - 106            |
| 1400 0398 | Transistor - 2SC2412K                  | 13 -107            |
| 1400 0398 | Transistor - 2SC2412K                  | 11 -108            |
| 1402 1378 | Diode - PTZ12A                         | 11 -109            |
| 1402 1380 | Diode - PTZ 6.2A                       | 11 -110            |
| 1402 1662 | Diode:Ptz6.2b                          | 13 -108            |
| 1402 1663 | Diode - ZTP12B                         | 13 -109            |
| 1403 0520 | Photocoupler - TLP521-1                | 13 -110            |
| 1403 0520 | Photocoupler - Tlp521-1                | 11 -111            |
| 1407 1596 | TTLIC - SN74LS14NS                     | 11 -112            |
| 1407 1596 | TTLIC - SN74LS14NS                     | 13 -111            |
| 1407 2187 | TTLIC - SN74LS07NS                     | 11 -113            |
| 1407 2187 | TTLIC - SN74LS07NS                     | 13 -112            |
| 1407 2231 | IC - TD62308AF                         | 11 -114            |
| 1407 2231 | IC - TD62308AF                         | 13 -113            |
| 1407 4687 | IC - TA8083F                           | 11 -115            |
| 1407 4687 | IC - TA8083F                           | 13 -114            |
| 1408 0611 | IC - 3771                              | 11 -116            |
| 1408 0611 | IC - 3771                              | 13 -115            |
| 1408 1394 | IC - STK672-110                        | 11 -117            |
| 1408 1394 | IC - STK672-110                        | 13 -116            |
| 1503 0865 | Oscillator - 9.8304MHZ                 | 13 -117            |
| 1503 0865 | Oscillator - 9.8304MHZ                 | 11 -118            |
| 1601 7751 | Resistor - 4.7K $\Omega$ $\pm$ 5%      | 11 -119            |
| 1601 7751 | Resistor - 4.7K $\Omega$ $\pm$ 5%      | 13 -118            |
| 1601 7752 | Resistor Array - 10K $\Omega$ $\pm$ 5% | 11 -120            |
| 1601 7752 | Resistor Array - 10K $\Omega$ $\pm$ 5% | 13 -119            |
| 1604 2522 | Capacitor - 220 $\mu$ F $\pm$ 20%      | 13 -120            |
| 1604 4659 | Capacitor - 120 $\mu$ F $\pm$ 20% 50V  | 13 -121            |
| 1611 9222 | Resistor - 2.2K $\Omega$ $\pm$ 5% 1/2W | 13 -122            |
| 1611 9222 | Resistor - 2.2K $\Omega$ $\pm$ 5% 1/2W | 11 -121            |
| 1630 4100 | Resistor - 10 $\Omega$ $\pm$ 5% 1/16W  | 11 -122            |

| Part No.  | Description                                 | Page and Index No. |
|-----------|---|--------------------|
| 1630 4102 | Resistor - 1.0K $\Omega$ $\pm$ 5% 1/16W     | 11 -123            |
| 1630 4103 | Resistor - 10K $\Omega$ $\pm$ 5% 1/16W      | 11 -124            |
| 1630 4161 | Resistor - 160 $\Omega$ $\pm$ 5% 1/16W      | 11 -125            |
| 1630 4201 | Resistor - 200 $\Omega$ $\pm$ 5% 1/16W      | 11 -126            |
| 1630 4222 | Resistor - 2.2K $\Omega$ $\pm$ 5%           | 11 -127            |
| 1630 4392 | Resistor - 3.9 $\Omega$ $\pm$ 5% 1/16W      | 11 -128            |
| 1630 4472 | Resistor - 4.7K $\Omega$ $\pm$ 5% 1/16W     | 11 -129            |
| 1630 4562 | Resistor - 5.6k $\Omega$ - $\pm$ 5% - 1/16W | 11 -130            |
| 1633 0000 | Resistor - 0 $\Omega$ 1/10W                 | 11 -131            |
| 1633 0000 | Resistor - 0 $\Omega$ 1/10W                 | 13 -123            |
| 1634 5100 | Resistor - 510 $\Omega$ $\pm$ 1% 1/16W      | 11 -132            |
| 1634 5109 | Resistor - 51.0 $\Omega$ $\pm$ 1% 1/16W     | 11 -133            |
| 1634 8201 | Resistor - 8.2K $\Omega$ $\pm$ 1% 1/16W     | 11 -134            |
| 1640 5100 | Capacitor - 10 $\mu$ F +20% 50              | 11 -135            |
| 1640 5100 | Capacitor - 10 $\mu$ F +20% 50              | 13 -124            |
| 1640 5470 | Capacitor - 47 $\mu$ F $\pm$ 20% 50V        | 11 -136            |
| 1640 5470 | Capacitor - 47 $\mu$ F $\pm$ 20% 50V        | 13 -125            |
| 1650 4100 | Resistor - 10 $\Omega$ $\pm$ 5% 1/10W       | 13 -126            |
| 1650 4102 | Resistor - 1K $\Omega$ $\pm$ 5% 1/10W       | 13 -127            |
| 1650 4103 | Resistor - 10K $\Omega$ $\pm$ 5% 1/10W      | 13 -128            |
| 1650 4161 | Resistor - 160 $\Omega$ $\pm$ 5% 1/10W      | 13 -129            |
| 1650 4201 | Resistor - 200 $\Omega$ $\pm$ 5%1/10W       | 13 -130            |
| 1650 4222 | Resistor - 2.2K $\Omega$ $\pm$ 5%1/10W      | 13 -131            |
| 1650 4472 | Resistor - 4.7K $\Omega$ $\pm$ 5% 1/10W     | 13 -132            |
| 1650 4562 | Resistor - 5.6K $\Omega$ $\pm$ 5% 1/10W     | 13 -133            |
| 1654 5100 | Resistor:510 $\Omega$ : $\pm$ 1%:1/10w      | 13 -134            |
| 1654 5109 | Resistor:51 $\Omega$ : $\pm$ 1%:1/10w       | 13 -135            |
| 1654 8201 | Resistor - 8.2K $\Omega$ $\pm$ 1% 1/10W     | 13 -136            |
| 1660 2220 | Capacitor - 22pF $\pm$ 20% 35V              | 13 -137            |
| 1660 2220 | Capacitor - 22pF $\pm$ 20% 35V              | 11 -137            |
| 1660 2471 | Capacitor - 470pF - $\pm$ 5% - 50V          | 11 -138            |
| 1660 2471 | Capacitor - 470pF - $\pm$ 5% - 50V          | 13 -138            |
| 1660 4102 | Capacitor - 1000pF $\pm$ 10% 50V            | 11 -139            |
| 1660 4102 | Capacitor - 1000pF $\pm$ 10% 50V            | 13 -139            |
| 1660 4103 | Capacitor - 10000pF - $\pm$ 10% - 50V       | 13 -140            |

| Part No.  | Description                           | Page and Index No. |
|-----------|---------------------------------------|--------------------|
| 1660 4103 | Capacitor - 10000pF - $\pm$ 10% - 50V | 11 -140            |
| 1660 8104 | Capacitor - 0.1 $\mu$ F +80-20% 25V   | 13 -141            |
| 1660 8104 | Capacitor - 0.1 $\mu$ F +80-20% 25V   | 11 -141            |

| Part No.  | Description    | Page and Index No. |
|-----------|----------------|--------------------|
| 5206 2686 | Snap Ring      | 7 - 21             |
| 5215 2621 | Snap Ring - M6 | 9 - 15             |

| Part No. | Description | Page and Index No. |
|----------|-------------|--------------------|
|          |             |                    |